

# MELaseal® 100+

Sealing device



**MELAG**  
competence in hygiene

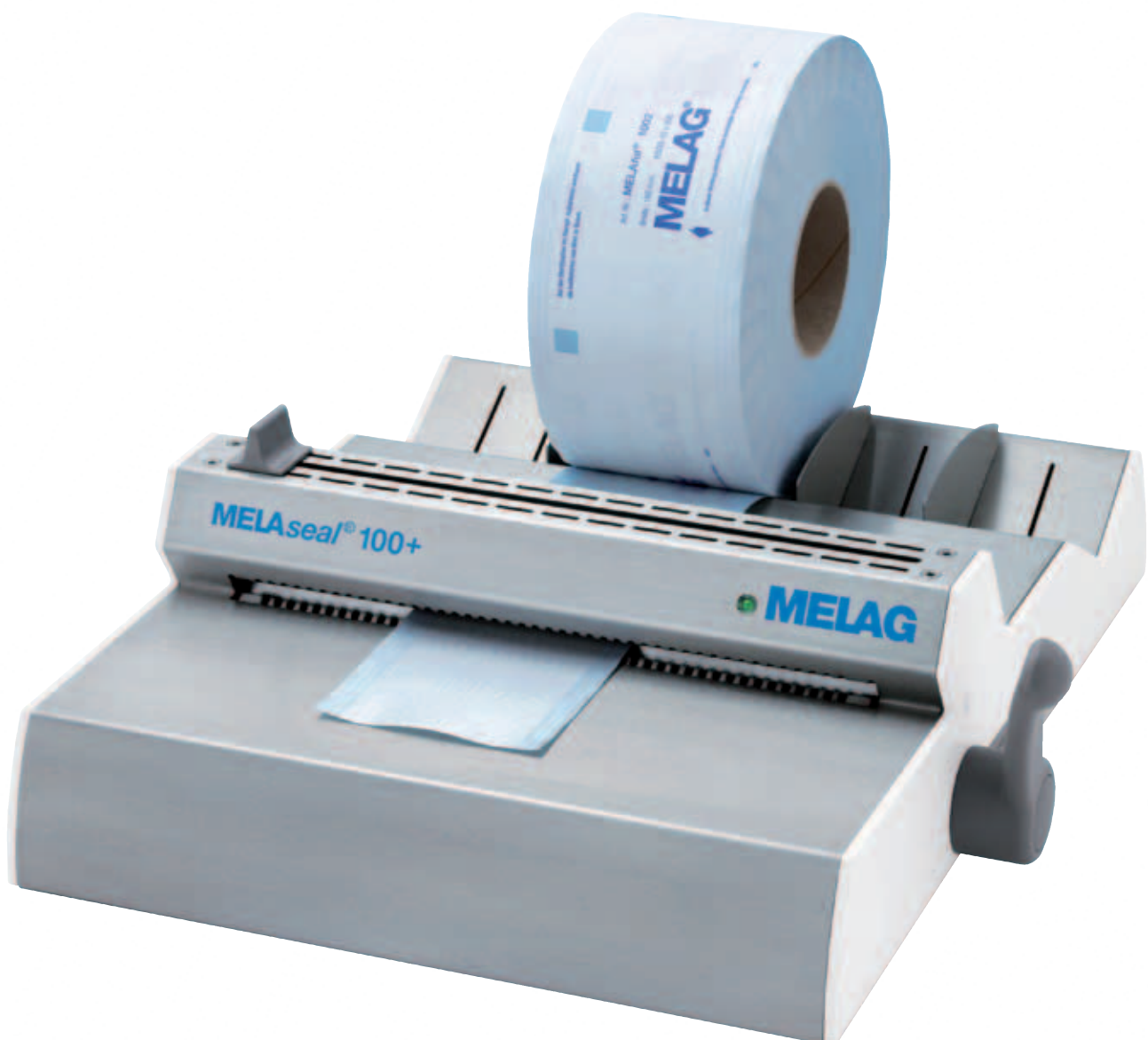
# MELAseal®100+

## A tried and tested concept with new technology

The new sealing device MELAseal®100+ is the successor to the practice-tested MELAseal®100. As its predecessor, the MELAseal®100+ is characterized by its high-performance, reliability and simple operation.

## Safe, easily operated high-performance

The packages can be sealed consecutively without pause following a short pre-heating time of app. 2 minutes. A new development is its electronically-controlled optical and acoustic display indication of operation readiness following the warm-up phase. The new electronic ensures the reproducibility of the seal time by an acoustic and a visual verification. Failure to maintain the necessary requirements, e.g. too short a sealing time triggers a signal. In order to seal packages of varying manufacture, the continuously variable thermostat guarantees a selectable sealing temperature. Its 10mm seal width exceeds the minimum width requirement of 6mm as specified by EN 868-5, thus guaranteeing additional safety.



MELAseal® 100+ with reel dispenser "standard"

## Easy sealing

Ergonomically formed reel dispensers enable effortless re-feed of the sterilization packaging (e.g MELAfol®). The integrated cutting unit allows the user to adjust packaging to the size of the instruments and thus individual practice requirements.

## You can choose between three practical reel dispensers

Three reel dispensers are available for the sealing device MELAsea® 100+:

- The practical reel dispenser "standard" (Order no. 117) .
- The space-saving reel dispenser "comfort" (Order no. 111).
- The wall-mounted reel dispenser (Order no. 106).

MELAsea® 100+ is also suitable for wall-mounting.



MELAsea® 100+ with reel dispenser "comfort"

## MELAfol® see-through sterilization packaging

MELAfol®, a paper-film combination packaging, seals against all germs, is tear-resistant, heat-sealable, crease-resistant and easy to open (with a "peelable" seal seam). MELAfol® has a handling indicator in accordance with EN 868-5 which colours from blue to brown upon steam sterilization. Storage length (e.g. dust protected in a drawer) in accordance with DIN 58953 part 7: up to 6 months.

Rolls à 200m	Order no.
5cm	00502
7.5cm	00752
10cm	01002
15cm	01502
20cm	02002
25cm	02502

Pouches (1,000 pcs.)	Order no.
5cm x 25cm	00501
7.5cm x 25cm	00751
10cm x 25cm	01001



Bag with fold (100 pcs.)	Order no.
25cm x 50cm	02051

## Routine testing

The MELAG seal check can be used to perform regular (e.g. weekly) functional checks. The test strip containing the device information, date and name of the responsible person is stored as proof after every successful check. MELAG provides a seal seam stability check to perform the annual function test.



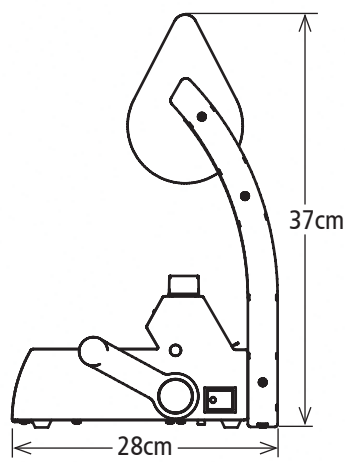
## MELAdoc® - label printer for sterilization packaging

MELAdoc® completes the document trail from the preparation and clearance of your medical product right up to the use of the instrument in patient treatment. The labels are affixed to the transparent sterilization packaging and provide information regarding the sterilization and expiry date, the operating persons and the batch number. Thus you can obtain information at any time regarding the time of treatment of the instrument and their contamination protection status. The labels can be removed after using the instrument and entered in the patient records.

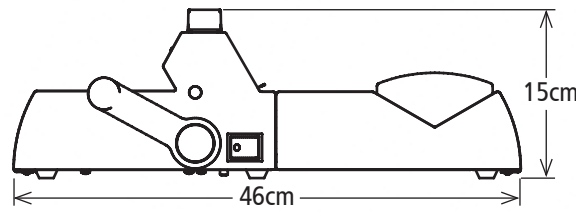


Article description	Order no.
MELAdoc® label printer	01095
6 reels of labels with ink pad	01097

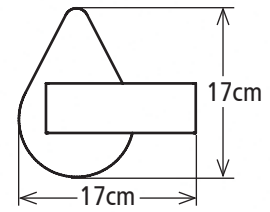
## Dimensions and technical data



MELAseal® 100+ with reel dispenser "comfort"



MELAseal® 100+ with reel dispenser "standard"



Wall-mounted reel dispenser

	MELAseal® 100+
Device dimensions (incl. grip, W x H x D):	41.5cm x 15cm x 24cm
Electrical connection:	230V / 50...60Hz / 300W
Weight:	5.4Kg

## Quality and precision satisfying the highest quality requirements

Located in Berlin, MELAG has gathered nearly 60 years of experience as a specialist manufacturer of sterilizers. Our focus on quality and sound practice, openness to innovation and the precedence which we accord to safety established our reputation as one of the leading manufacturers in this area. We have delivered over 420,000 machines to destinations around the world and thus represent one of the world market-leaders in our area of expertise "hygiene." Our entire product range is developed and produced in Berlin on a surface area of c. 20,000 m<sup>2</sup>.

The commercial philosophy of our second generation family concern foresees consistent specialization on a restricted manufacturing program. As a result, our highly-specialized development team of 50 engineers is able to maintain and develop our product range so as to cater to market needs and maintain and improve our world-beating standards.



[www.melag.com](http://www.melag.com)  
**MELAG**  
 competence in hygiene